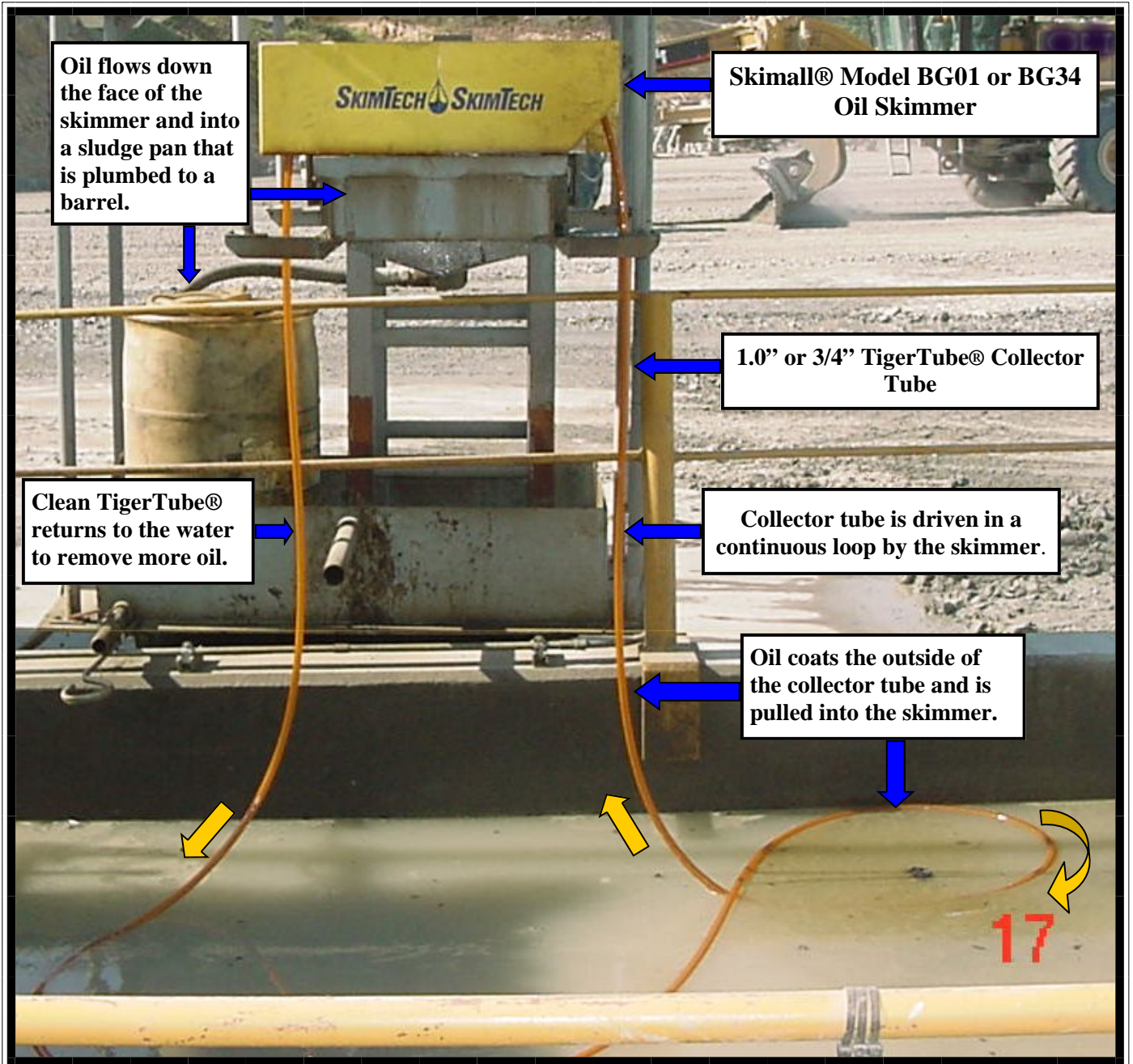
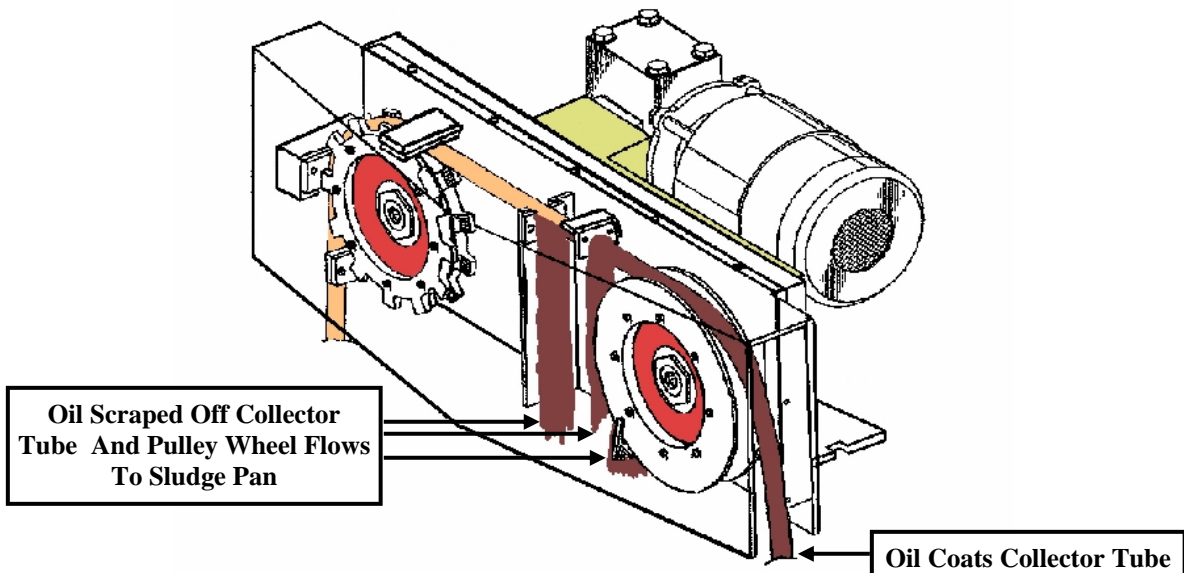


# Skimall® Tube Type Oil Skimmer Process Overview



## Skimall® Tube Type Oil Skimmer Process Overview

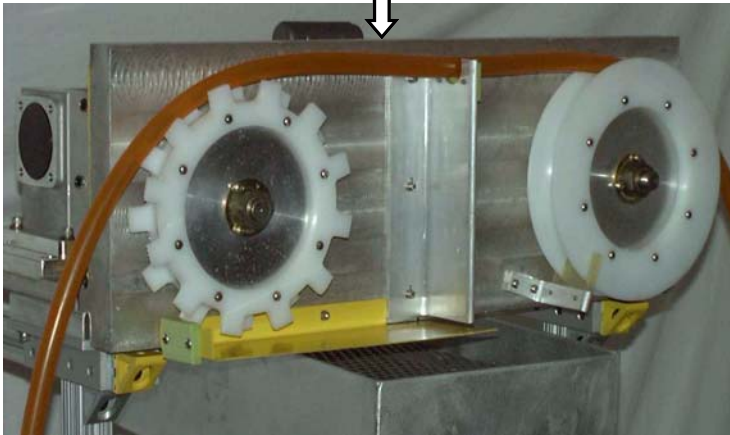




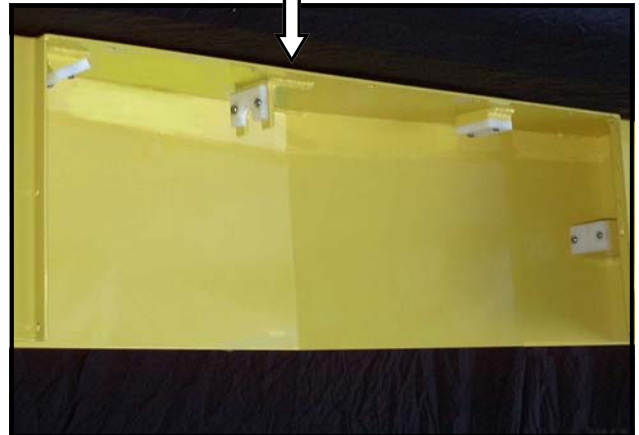


# Skimall® Model BG01 & BG34 Oil Skimmer

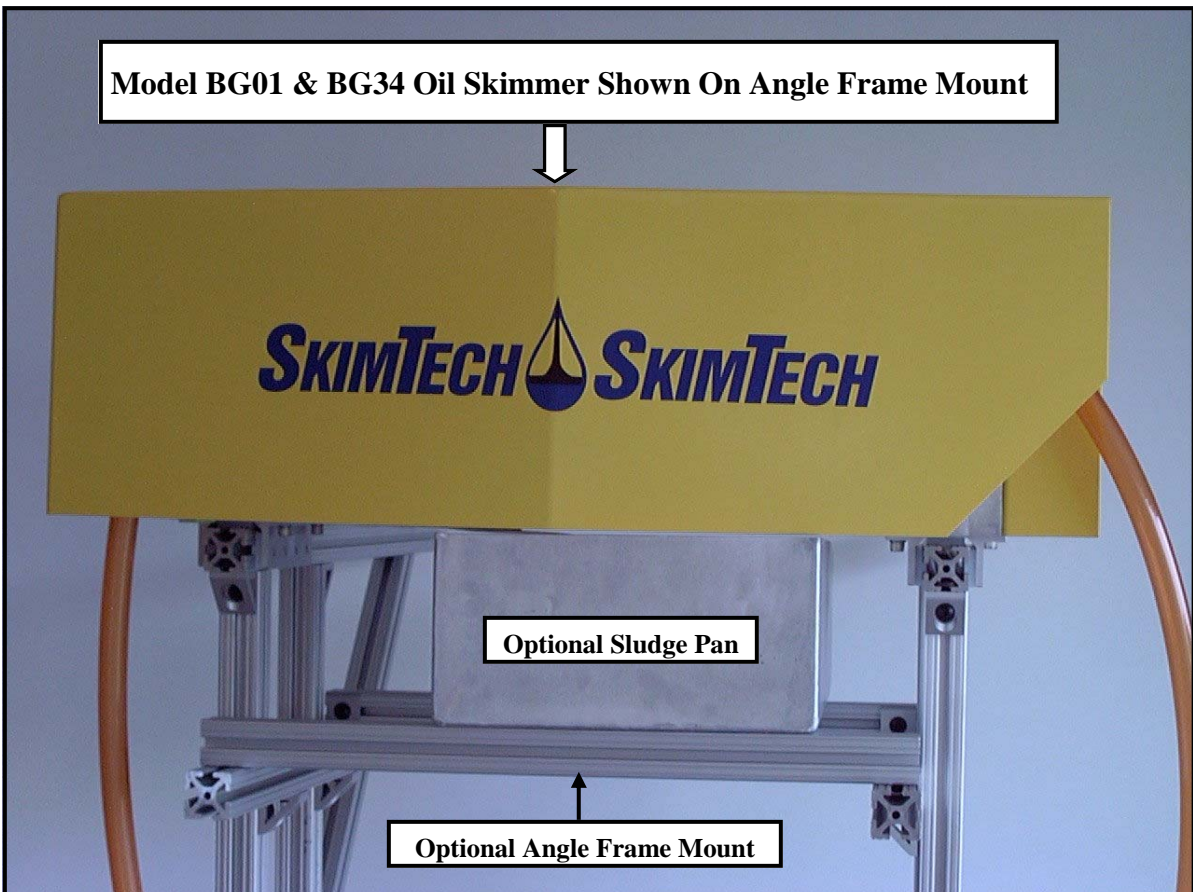
Model BG01 & BG34 Oil Skimmer shown without front safety cover.



Front Safety Cover With Dureon® Scraper and Pressure Blocks.

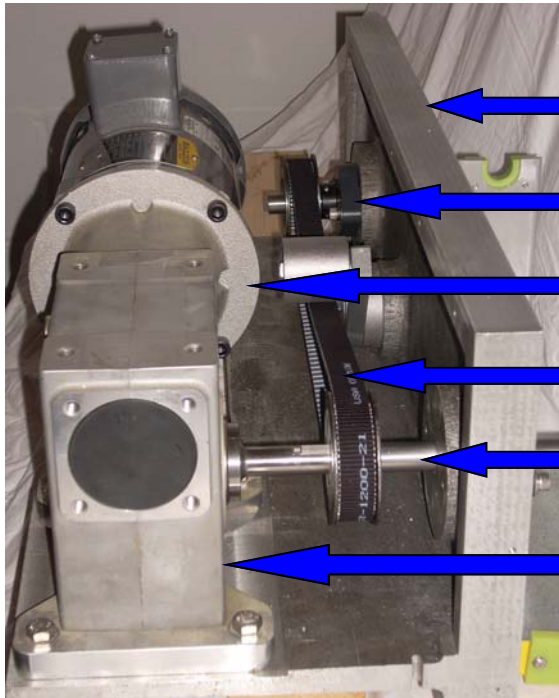


Model BG01 & BG34 Oil Skimmer Shown On Angle Frame Mount



# Skimall® Model BG01 & BG34 Oil Skimmer

## Model BG01 & BG34 Drive System (shown with rear safety cover removed)



Cast Aluminum Main Frame

Lubed For Life Bearings

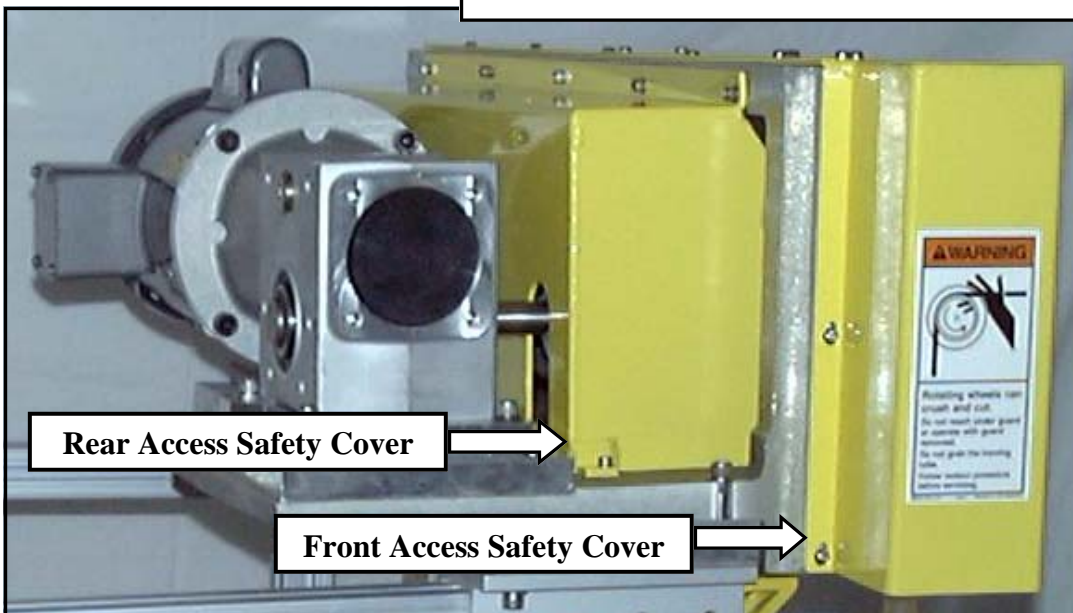
Direct Drive Motor Coupling

Industrial Belt Drive

Stainless Steel Shafts

Heavy Duty Lubed For Life Gear Reducer

## Model BG01 & BG34 Access Safety Covers

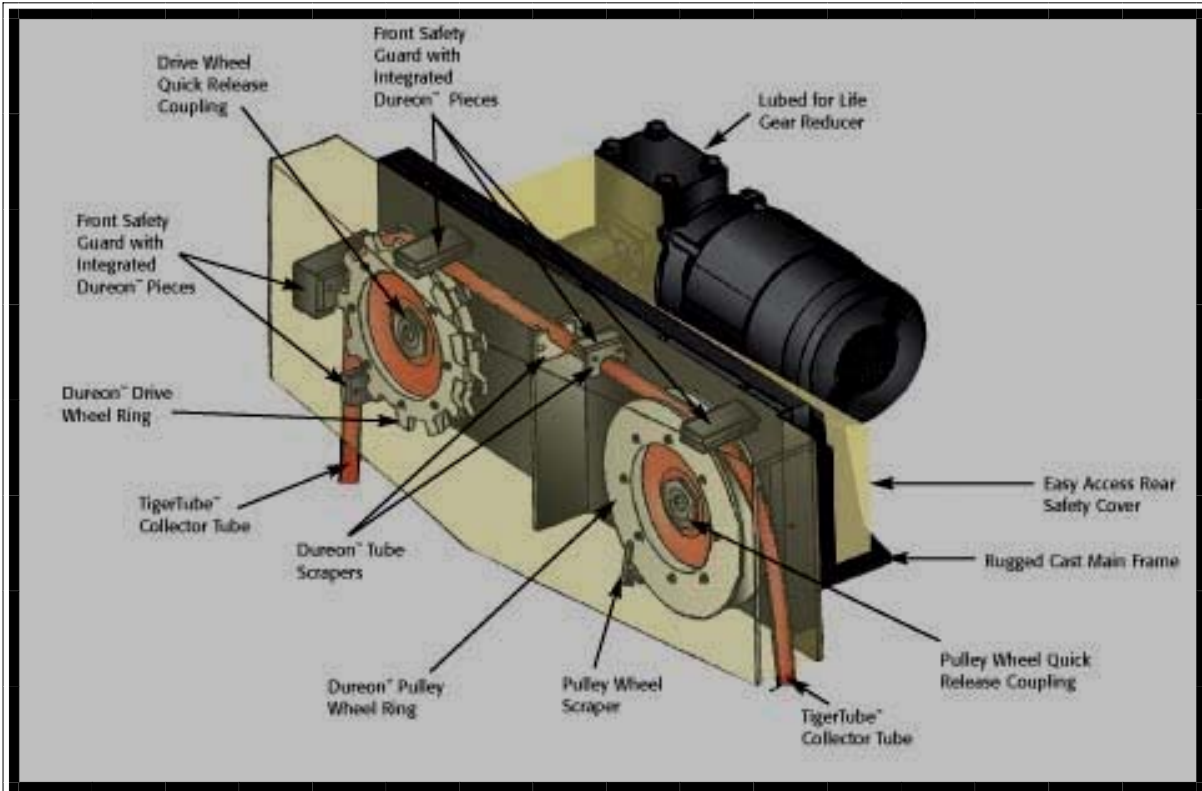


Rear Access Safety Cover

Front Access Safety Cover



## Skimall® Model BG01 & BG34 Oil Skimmer

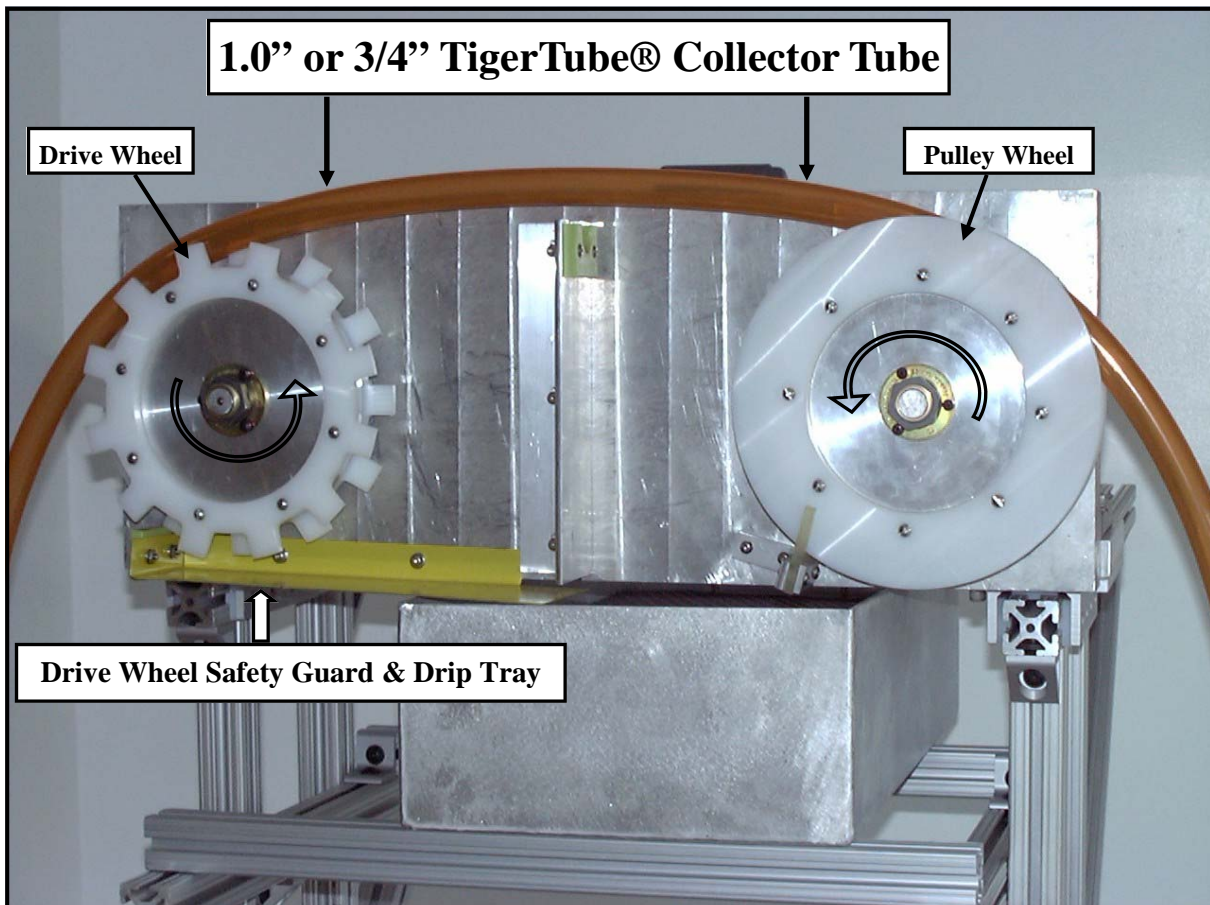


### Oil Skimmer Features

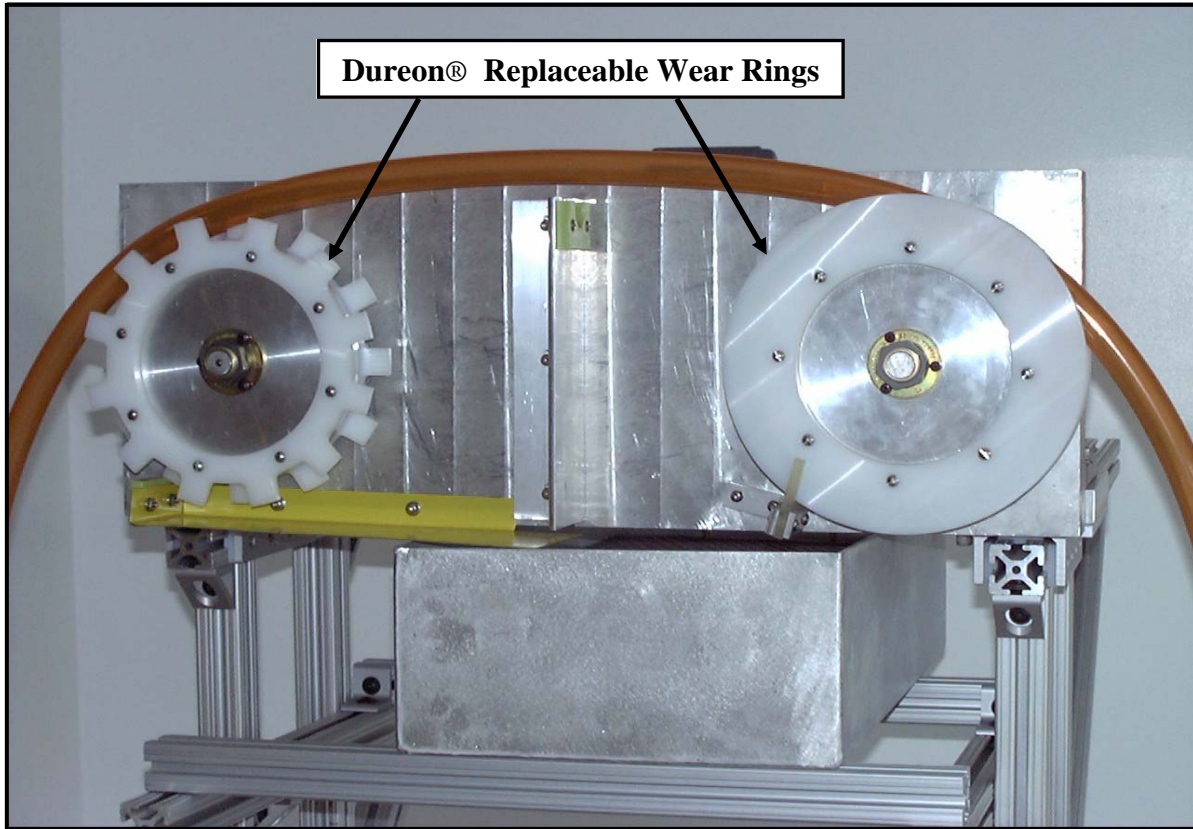
- Front Safety Guard with integral abrasive resistant Dureon® tube scraper and pressure blocks.
- Designed for maximum safety - when Front Safety Guard is removed, all energy is released from the TigerTube® collector tube and pinch points are eliminated. System will not operate properly without the Front Safety Guard in place.
- Lubed for life gear reducer.
- Drive Wheel and Pulley Wheel with Dureon® replaceable rings.
- Drive Wheel and Pulley Wheel quick release coupling.
- Belt drive system.
- Rear Safety Cover for easy access to drive system.
- 1/2 HP 115/230 or 230/460V, 1 phase or 3 phase motor available.
- Rugged cast aluminum main frame.
- BG01 uses 1.0" TigerTube® collector tube.
- BG34 uses 3/4" TigerTube® collector tube.
- Proudly made in the USA.



## Skimall® Model BG01 & BG34 Oil Skimmer Features

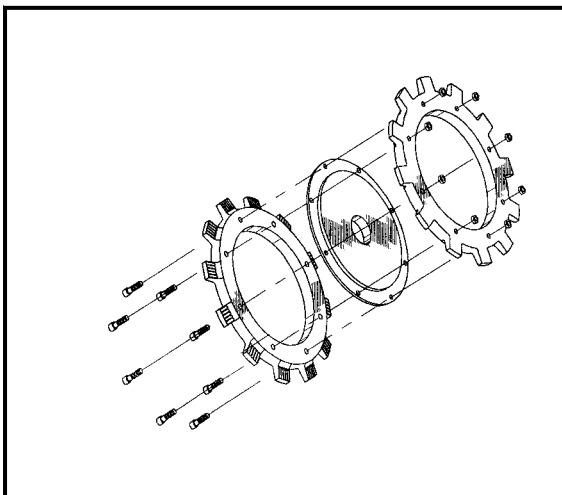


# Skimall® Model BG01 & BG34 Oil Skimmer Features

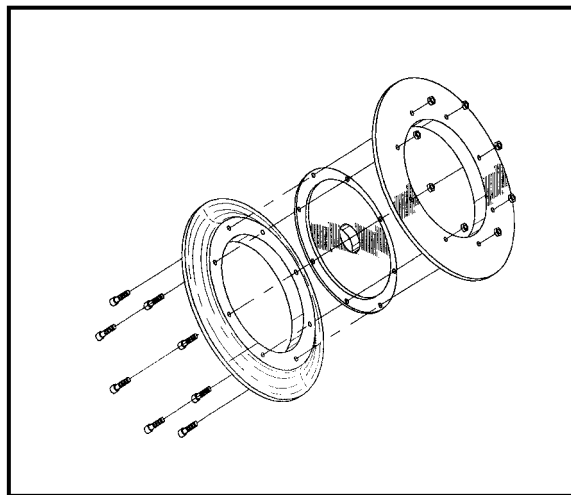


Dureon® Replaceable Wear Rings

Drive Wheel Arrangement

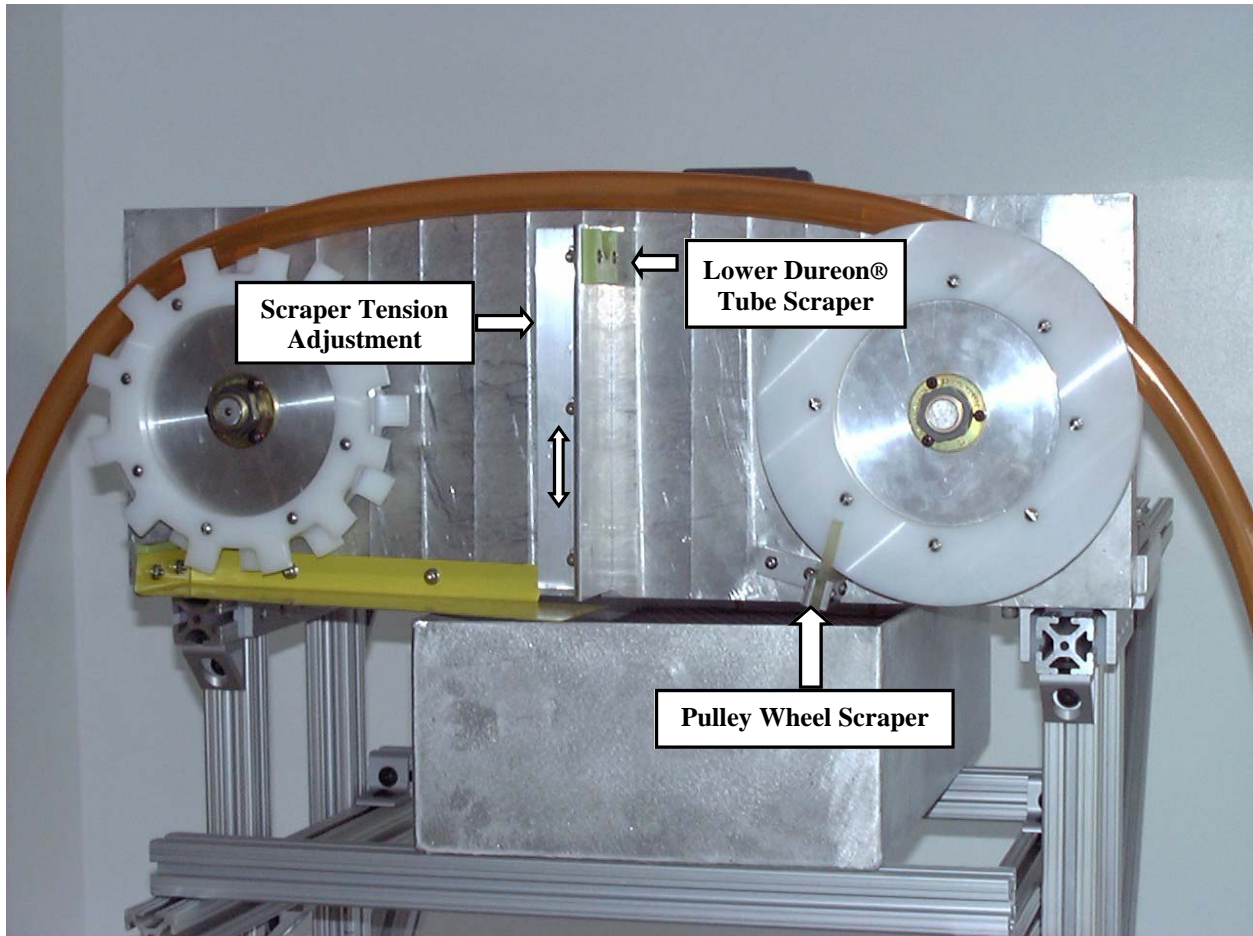


Pulley Wheel Arrangement





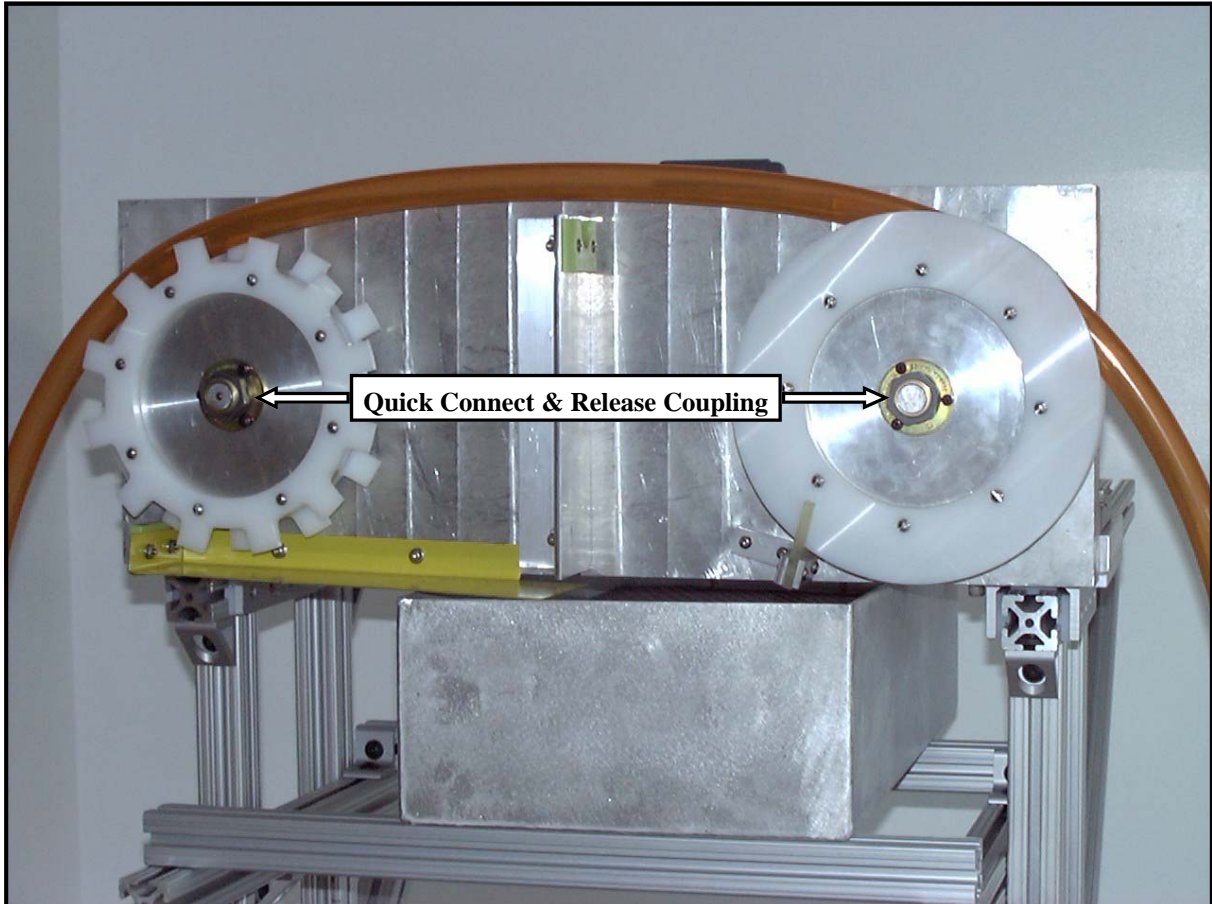
# Skimall® Model BG01 & BG34 Oil Skimmer Features



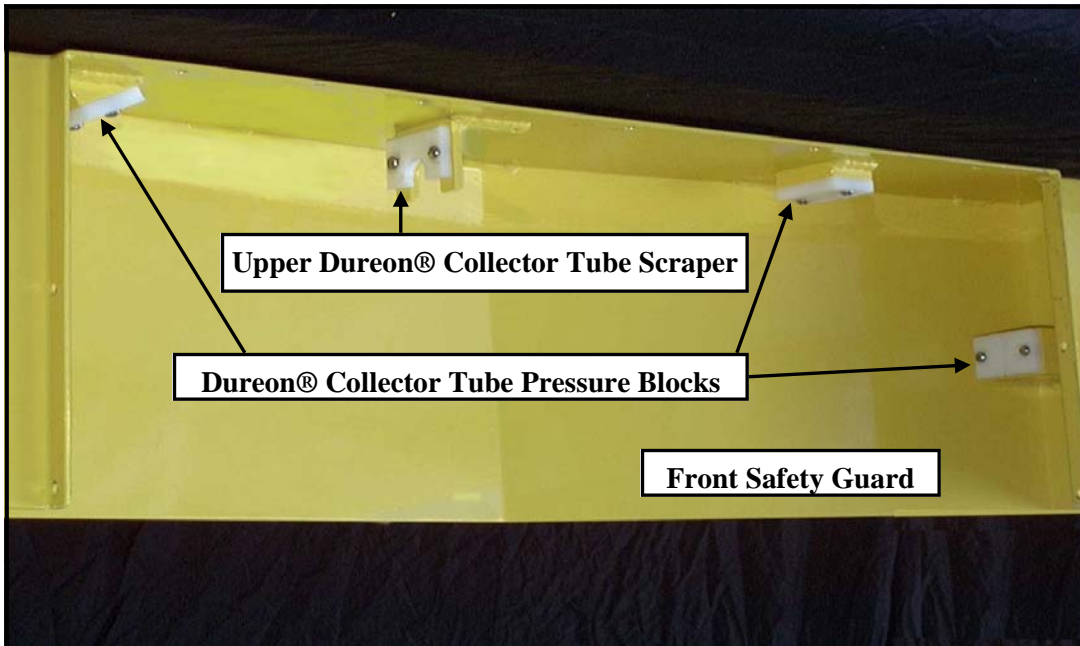
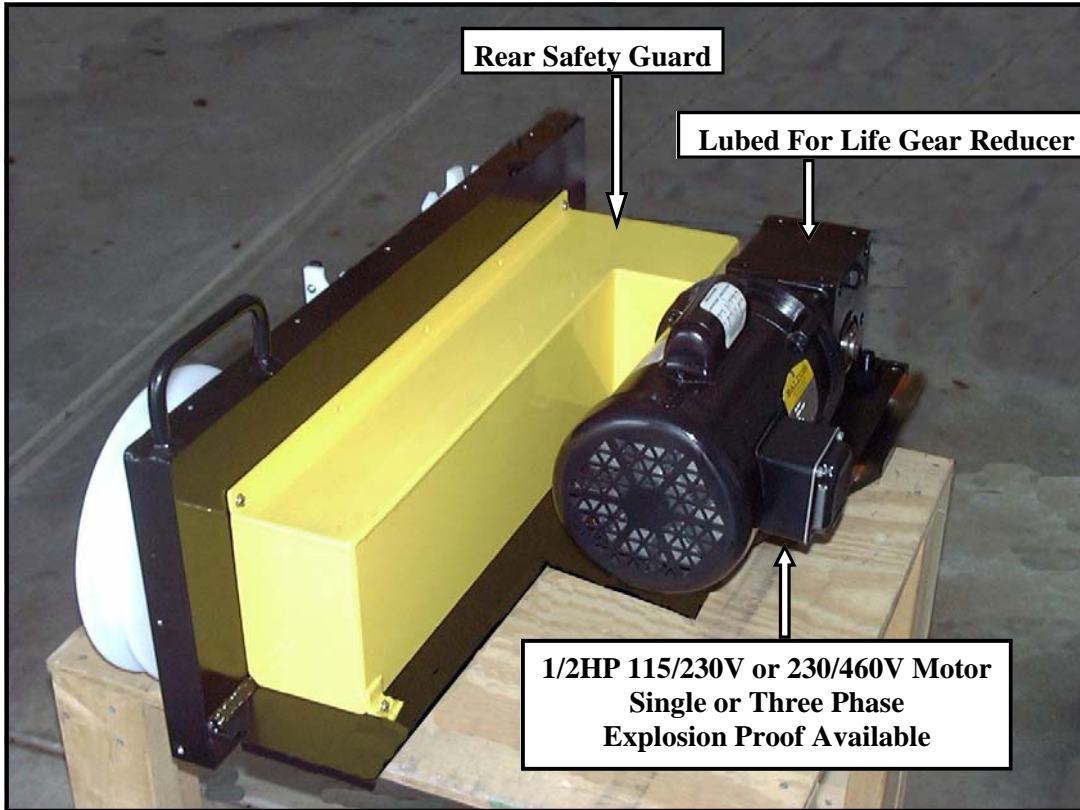




## Skimall® Model BG01 & BG34 Oil Skimmer Features

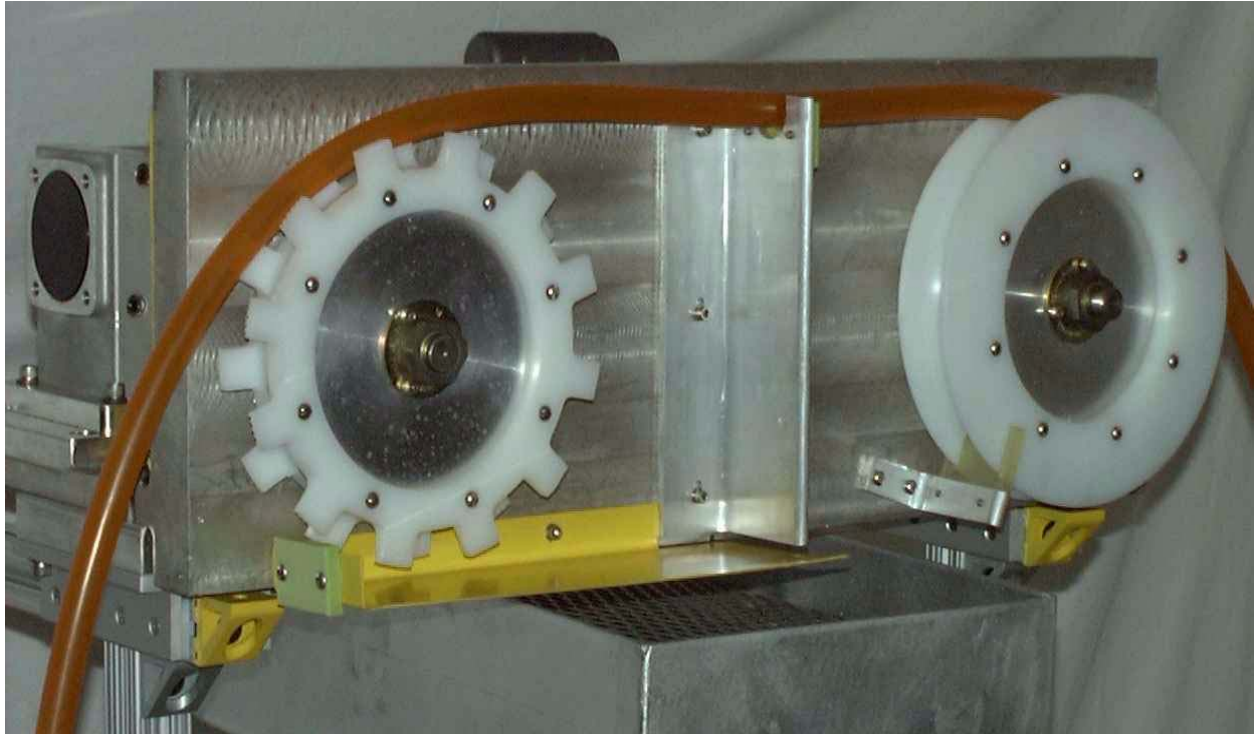


# Skimall® Model BG01 & BG34 Oil Skimmer





## Skimall® Model BG01 & BG34 Oil Skimmer



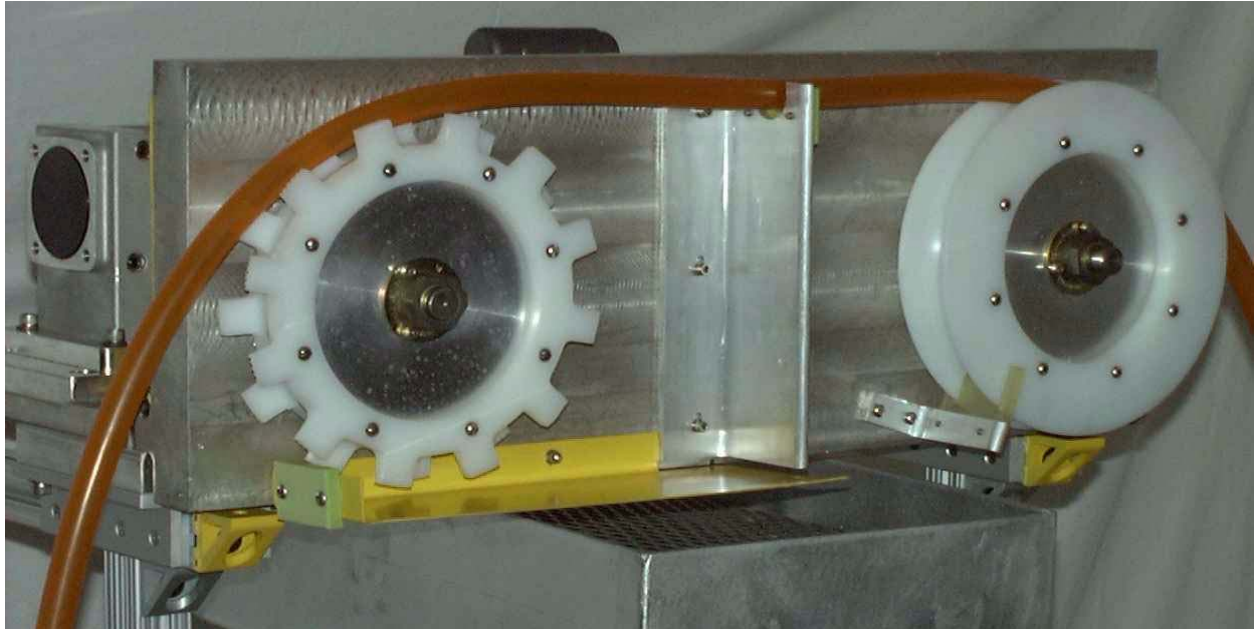
### TigerTube® Installation

**Lay tube on Skimall® unit as shown in the above photo. After tube is in position lower the front guard from the top down so that that upper scraper lays on the top of the tube and secure the fasteners lining up the holes of the guard with the frame.**





## Skimall® Model BG01 & BG34 Oil Skimmer Advantages



- Collector tube floats - will not reintroduce oil back into water.
- Large surface area coverage.
- Designed for years of operation.
- No regular maintenance required.
- Designed for 24/7 continuous use.
- Dirt, grit, and other abrasive material will not harm the system.
- Easy to install.
- Dureon® Scrapers and Pressure Blocks will not chip, crack or break.
- No additional lubrication required.
- Drive Wheel single piece Dureon® rings - no individual fingers to replace.
- Pulley Wheel with single piece Dureon® rings - no need to replace entire wheel.
- Lubed for life gear reducer and bearings - never requires complete disassembly to maintain.
- Belt drive system - no lubrication required, no chain to maintain.
- Direct drive motor coupling to gear reducer - no weak rubber coupling.
- Quick connect and release Drive and Pulley Wheel coupling - no special tools required.
- Collector tube scraper tension adjustment.
- Drive Wheel safety guard and drip tray - safe, clean operation.
- Performance and Quality Guarantee.